



File No.:E75887



File No.:R 50215414



FEATURES

- Highly reliable, low cost
- Miniature size & large switch capacity up to 10A
- High dielectric strength type
- Printed circuit terminals fits grid with 2.54mm
- CUL recognized
- Fully Sealed

CONTACT RATINGS

Contact Arrangement	1C
Contact Resistance	≤50mΩ (1A 24VDC)
Contact Material	Silver Alloy
Contact Rating(Resistive)	10A/120VAC, 6A/28VDC
Max. Switching Voltage	300VAC/28VDC
Max. Switching Current	10A
Max. Switching Power	2500VA/280W
Mechanical Life	1×10 ⁷ operations
Electrical Life	See more details at "safety approval ratings"

ORDERING INFORMATION

Model	SSD 106 PH DC12 - XXXX
Contact Rating:	103=3A, 106=6A, 110=10A
PH:Gold Flash Contacts Blank:Standard	
Coil Voltage	
Customer Code	

CHARACTERISTICS

Insulation Resistance	100MΩ (at 500VDC)	
Dielectric Strength	Between coil & contacts	3000VAC 1min
	Between open contacts	750VAC 1min
Operate time (at nomi. volt.)	≤7ms	
Release time (at nomi. volt.)	≤4ms	
Humidity	45% ~ 85% RH	
Operation temperature	-40°C~+85°C	
UL Class B	Insulation System Class B	
Shock Resistance	Functional	98m/s ²
	Destructive	980m/s ²
Vibration resistance	10Hz ~ 55Hz 1.5mm DA	
Unit weight	Approx. 10g	
Construction	Sealed Type	

Notes:1) The data shown above are initial values.
2) Please find coil temperature curve in the characteristic curves.

COIL DATA at 25°C

Nominal Voltage VDC	Operate Voltage (Max.) VDC	Release Voltage (Min.) VDC	*Max. Allowable Voltage VDC	Coil Resistance Ω±10%
3	2.25	0.3	3.9	20
5	3.75	0.5	6.5	56
6	4.50	0.6	7.8	80
9	6.75	0.9	11.7	180
12	9.00	1.2	15.6	320
24	18.0	2.4	31.2	1150
48	36.0	4.8	62.4	4608

Note: **Max Allowable Voltage*: The relay coil can endure max allowable voltage for a short period time only.

COIL

Coil Power	450mW (24V, 48V:500mW)
------------	------------------------

This datasheet is for customers' reference. All the specifications are subject to change without notice.



* SINCE 1976 *

TEL:(516) 328-9292 FAX:(516)326-9125 www.hascorelays.com email:info@hascorelays.com

RELAYS

SAFETY APPROVAL RATINGS

UL&CUL	103	N.O./N.C.:3A 120VAC, G.P., 6×10 ³ OPS
	106	N.O./N.C.:6A 120VAC, G.P., 6×10 ³ OPS N.O./N.C.:1/8HP 120VAC, 6×10 ³ OPS N.O./N.C.:1/8HP 240VAC, 6×10 ³ OPS
	110	N.O./N.C.:10A 120VAC, G.P., 50°C, 6×10 ³ OPS Pilot Duty C300. N.O./N.C.:1/8HP 120VAC, 50°C, 6×10 ³ OPS N.O./N.C.:1/8HP 240VAC, 50°C, 6×10 ³ OPS N.O./N.C.:6A 300VAC, 6×10 ³ OPS N.O./N.C.:6A 28VAC, 6×10 ³ OPS
TüV	10A/250VAC, 10A/28VDC	

NOTES:

1. All values without specified temperature are at 25°C.
2. The above lists the typical loads only. Other loads may be available upon request.

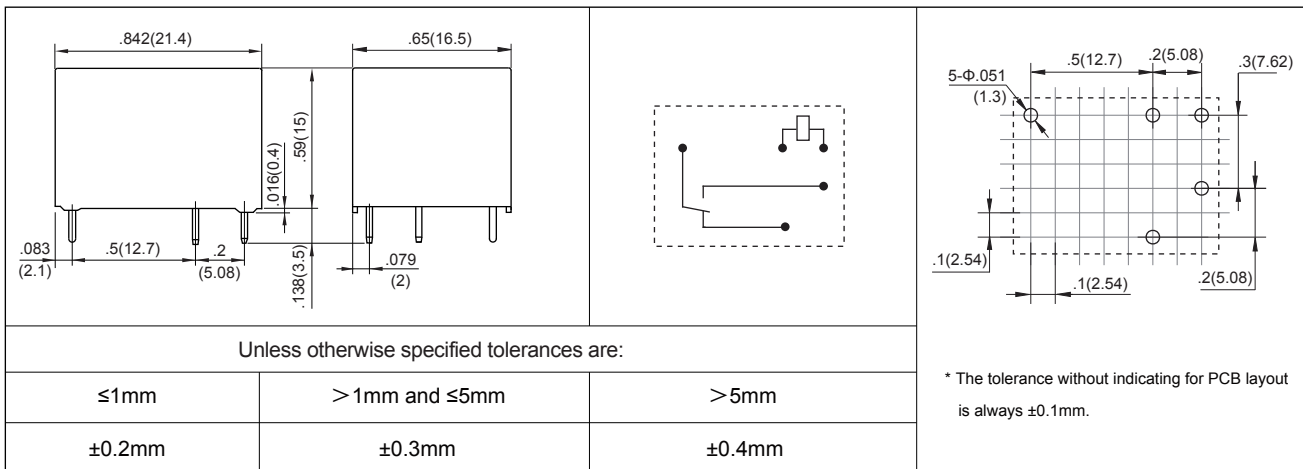
OUTLINE DIMENSIONS, WIRING DIAGRAM AND PC BOARD LAYOUT.

Unit: inch(mm)

Outline Dimensions

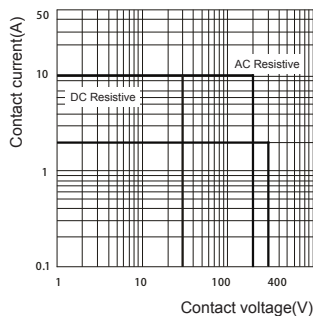
Wiring Diagram
(Bottom view)

PCB Layout
(Bottom view)

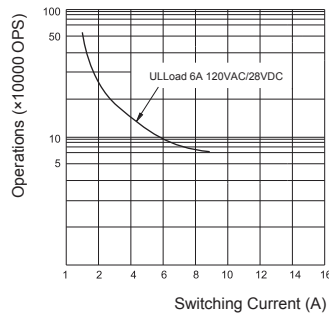


CHARACTERISTIC CURVES

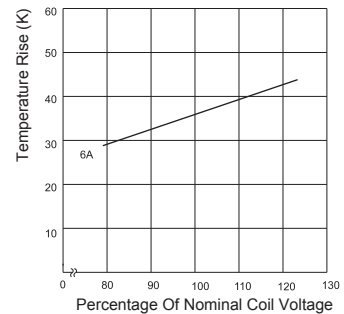
CONTACT SWITCHING CAPACITY



ENDURANCE CURVE



COIL TEMPERATURE RISE



This datasheet is for customers' reference. All the specifications are subject to change without notice.

PACKAGING SPECIFICATION

TUBE	INNER CARTON	OUTER CARTON	OUTER CARTON SIZE
25PCS	1000PCS	2000PCS	L480mm*W245mm*H335mm

APPLICATION GUIDELINES

Automatic Soldering

- * Flow solder is the optimum method for soldering.
- * Adjust the level of solder so that it does not overflow onto the top of the PC board.
- * Unless otherwise specified, solder under the following conditions depending on the type of relay.

Preheat time 20°C-100°C	Rising slope 20°C-120°C	Decreasing slope Peak-150°C	Welding temperature 255°C-265°C
90±5 seconds	<3°C/s	<4°C/s	3~5s

Hand Soldering

- * Keep the tip of the soldering iron clean.

Solder Iron	30W or 60W
Iron Tip Temperature	Approx. 350°C 662°F
Solder Time	Within approx. 3 seconds

- * Immediate air cooling is recommended to prevent deterioration of the relay and surrounding parts due to soldering heat.
- * Although the sealed type relay can be cleaned, avoid immersing the relay into cold liquid (such as washing solvent) immediately after soldering. Doing so may deteriorate the sealing performance.

Discard the dropped product

This datasheet is for customers' reference. All the specifications are subject to change without notice.